

SL2225

ARRAS BEAM KIT

ASSEMBLY, WARPING & WEAVING



Watch videos on installing and warping with the Arras Beam Kit at [youtube.com/user/schachtspindle](https://www.youtube.com/user/schachtspindle)



Find out more at [schachtspindle.com](https://www.schachtspindle.com)
Schacht Spindle Company 6101 Ben Place Boulder, CO 80301
p. 303.442.3212 800.228.2553 f. 303.447.9273

© 2020 Schacht Spindle Company, Inc.

ARRAS BEAM KIT

ASSEMBLY & WARPING

PARTS

- left and right bases
- cross brace
- left and right warp beam risers
- 2X cloth/warp beams with ratchet gears
- 2X apron bars
- 2X 1/4-20 x 2-1/2" Phillips truss head machine screws
- 2X 1/4-20 x 1-1/4" Phillips truss head machine screws
- 4X #8 x 1-1/4" Phillips truss head sheet metal screws
- 4X dowel handles
- 4X 3/8" Phillips truss head sheet metal screws
- 8X 15-1/4" Texsolv apron cords

TOOLS REQUIRED

- #2 Phillips screwdriver

You will also need the manual for the Arras Tapestry Loom, available at schachtspindle.com.



Phillips truss head machine screw



Phillips truss head sheet metal screw

To determine a screw's length, measure its shaft.

Watch videos on installing and warping with the Arras Beam Kit at [youtube.com/user/schachtspindle](https://www.youtube.com/user/schachtspindle)

INSTALLING THE BEAM KIT ON AN ASSEMBLED LOOM

1. Remove the left leg from the loom: Unscrew the two round plastic knobs that hold the leg and foldable extension to the left upright, as shown in Figure 1. (Leave the leg extension knob in place; there's no need to disassemble the foldable extension.) Remove the 3/8" USS metal washers from the knobs but keep the T-nut slides in place for the next step. You can store the metal washers and the leg.

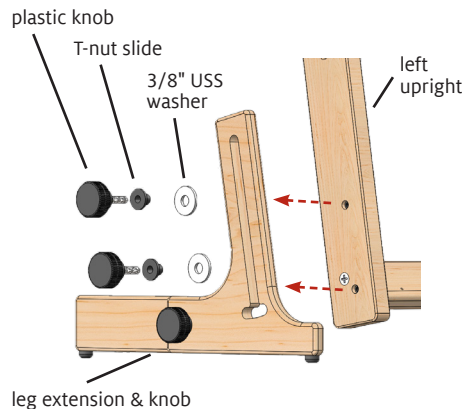


FIGURE 1: REMOVE THE LEFT LEG

2. Attach the left base: Orient the base with its rubber feet at the bottom of the loom, the curve and large hole at the back, and the ratchet dog facing the inner side of the loom (Figure 2). Using a knob and T-nut slide from the previous step (the knob shaft goes through the wider side of the T-nut slide), go through the upper hole in the base from its outer side, then into the left upright. Tighten the knob loosely. Repeat with the remaining knob and T-nut slide, inserting the knob through the bottom hole in the base and left upright. Do not fully tighten the knobs yet.

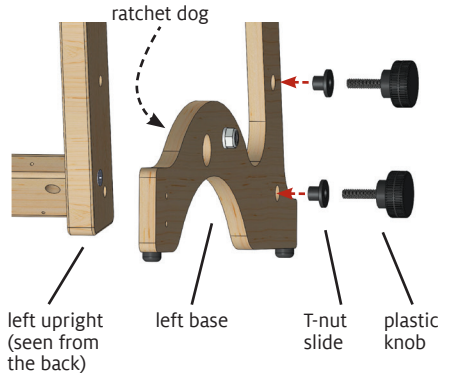


FIGURE 2: ATTACH LEFT BASE

3. Insert one cloth/warp beam (now the cloth beam) through the large hole in the base (Figure 3). Both beams are identical and their ends are identical. The ratchet gear should sit against the base so the ratchet dog will engage.

4. Attach the right base: Remove the right leg from the loom as you did in Step 1. Orient the base as in Step 2, fitting the large hole over the end of the cloth beam. Attach this base with knobs and T-nut slides as in Step 2.

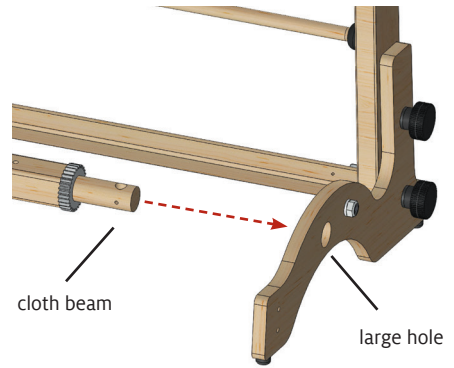


FIGURE 3: INSERT CLOTH BEAM

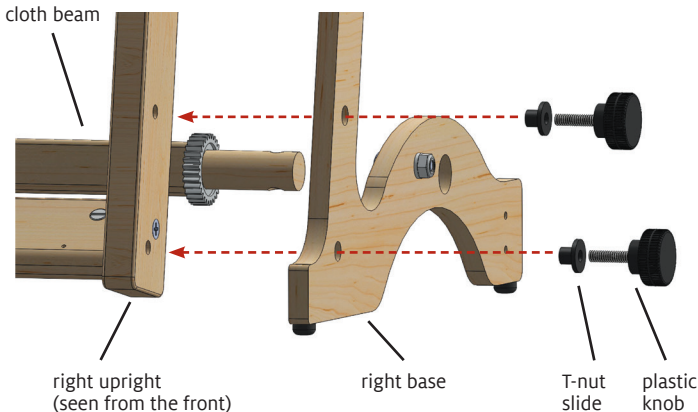


FIGURE 4: ATTACH RIGHT BASE

5. Attach dowel handles to the cloth beam: Insert a dowel handle through the end of the cloth beam, aligning the holes. Secure the handle with a 3/8" Phillips truss head sheet metal screw. Repeat at the other end of the cloth beam with a second dowel handle and 3/8" Phillips truss head sheet metal screw.

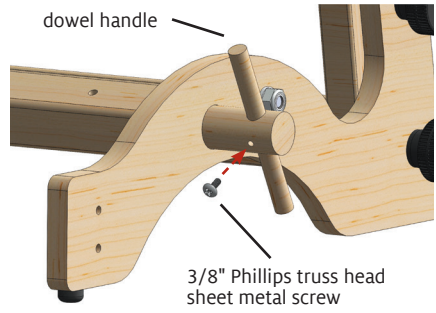


FIGURE 5: ATTACH DOWEL HANDLES

6. Attach the cross brace: Set the cross brace between the bases, aligning the holes. From the outer side of the loom, insert a #8 x 1-1/4" Phillips truss head sheet metal screw through the base and tighten it loosely into the cross brace. Repeat with the remaining 1-1/4" sheet metal screws. Make sure the loom and bases will sit level on a work surface, then fully tighten all 4 screws and the 4 plastic knobs holding the base to the loom.

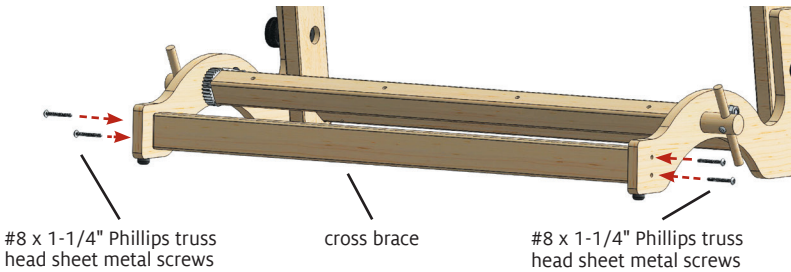


FIGURE 6: ATTACH CROSS BRACE

7. Remove hardware from the top beam: Unscrew the 1/4-20 x 2" Phillips truss head machine screw holding the top beam to the left upright; a 1/4-20 barrel nut will fall out (Figure 7). You will not need the screw for the beam kit, but will use the barrel nut in the next step.

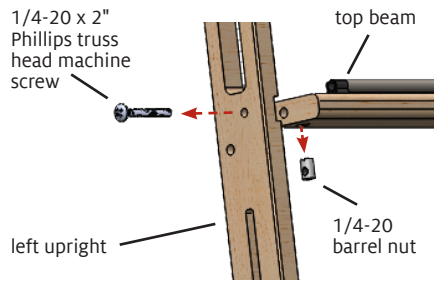


FIGURE 7: REMOVE TOP BEAM HARDWARE

8. Attach the left warp beam riser: Orient the left warp beam riser with the ratchet dog on the inner side of the loom and holes aligned with holes in the left upright (Figure 8). Insert a 1/4-20 x 1-1/4" Phillips truss head machine screw into the lower hole of the riser and into the left upright. Tighten the screw into the upright. Hold the barrel nut from Step 7 in the left end of the top beam as you insert a 1/4-20 x 2-1/2" Phillips truss head machine screw

into the upper hole of the riser, through the left upright, and into the top beam. Tighten the machine screw into the barrel nut.

9. Insert a cloth/warp beam (now the warp beam) through the large hole in the left warp beam riser (Figure 9). The ratchet gear should sit against the riser so the ratchet dog can engage.

10. Attach the right warp beam riser: Remove hardware holding the top beam

to the right upright as you did in Step 7. Position the right riser with the ratchet dog on the inner side of the loom, holes aligned with holes in the right upright, and fitting the large hole over the end of the warp beam (Figure 10). Attach this riser as you attached the left riser in Step 8.

11. Attach dowel handles to the warp beam as in Step 5.

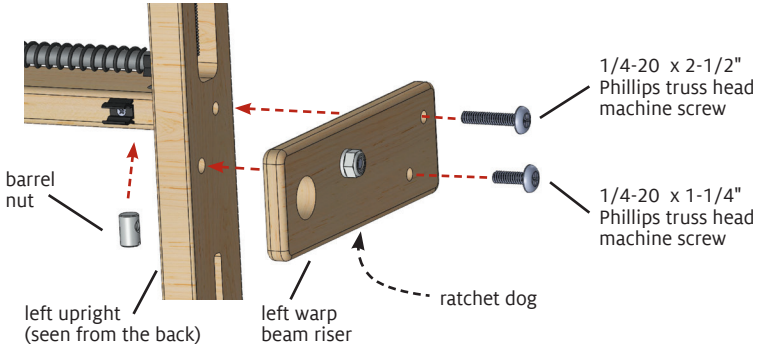


FIGURE 8: ATTACH LEFT WARP BEAM RISER

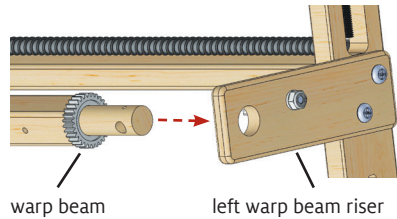


FIGURE 9: INSERT WARP BEAM

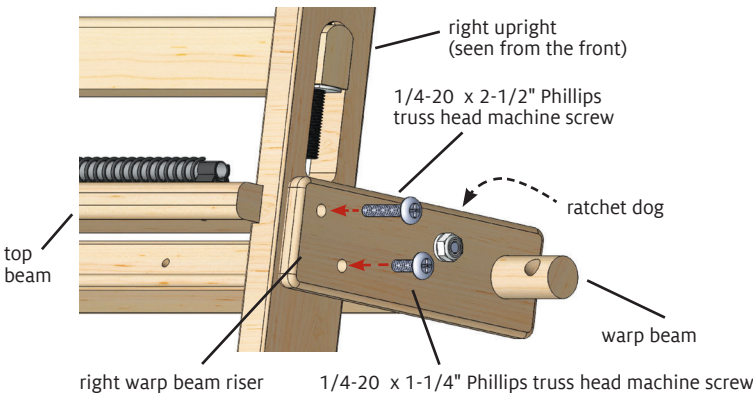


FIGURE 10: ATTACH RIGHT WARP BEAM RISER

12. Attach apron cords to the cloth and warp beams: Insert one end of a cord into a hole in the warp or cloth beam. (You can use a straightened paper clip to push the cords through.) Place the other end of the cord through the first complete loop in the cord and pull it tight around the beam (Figure 11). Repeat for all the holes in the warp and cloth beams.

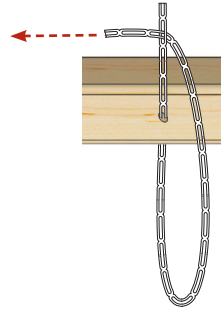


FIGURE 11: ATTACH APRON CORDS TO BEAMS

13. Attach apron cords to the apron bars: Fold a cord about 4" from the free end and insert the fold through the second loop at the free end of the cord (Figure 12). Insert the apron bar through the loop and pull tight. Repeat for each cord, attaching one apron bar to the cloth beam and another to the warp beam.

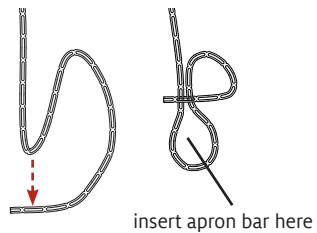


FIGURE 12: ATTACH CORDS TO APRON BARS

ASSEMBLING THE BEAM KIT WITH THE LOOM

You can install the beam kit as you assemble your Arras Tapestry Loom. Follow the instructions given in the loom manual, adapting as follows:

- Follow Loom Step 1 for the rubber bumpers.
- For Loom Step 2, attach the top beam: Also add the left warp beam riser and warp beam as in Steps 8 and 9 above.
- Follow Loom Steps 3 and 4 for the bottom beam and tension beam.
- For Loom Step 5, attach the right upright: Also add the right warp riser and dowel handles as in Steps 10 and 11 above.
- Follow Loom Step 6 for the tension beam handles.
- For Loom Step 7, attach the legs: Substitute Steps 2, 3, 4, 5, and 6 above.
- Follow Loom Steps 8, 9, and 10, attaching the warp wedge bar and cartoon holder, shedding device, and metal heddle rods. If you are going to warp the loom immediately, complete the steps for shedding device and metal heddle rods after warping.
- Attach apron cords as in Steps 12 and 13 above.

WARPING THE ARRAS TAPESTRY LOOM WITH BEAM KIT

Watch a video demonstration of warping the Arras Beam Kit at [youtube.com/user/schachtspindle](https://www.youtube.com/user/schachtspindle)

EQUIPMENT NEEDED

Warping board
20" raddle
2 rubber bands
Warping sticks or slats

1. Measure the warp: Determine your project's warp length and add 36" for loom waste. Measure your warp on a warping board and, at the cross end, add a counting thread that counts off in 1/2" or 1" increments. Secure the cross and remove the warp from the warping board.
2. Remove the shedding device: If the shedding device is installed on your loom, remove it now. You will re-install when you are ready to put on the heddles.
3. Remove the warp wedge bar from the loom so you can use it as a warping dowel.
4. Attach a raddle: We used a 20" raddle set up with pins spaced every 1/2" (to match our counting thread in 1/2" increments) and clamped to the tension beam from the back of the loom.
5. Temporarily tie the non-cross end of the warp chain to the bottom beam of the loom. Bring the chain up the front and over the top, draping the cross end over the raddle so it hangs between 6" and 8" down the back of the loom.
6. Slide the warping dowel (the loom's warp wedge bar) through the cross end of the warp chain. Slide the warping dowel through the warp chain loop. Use rubber bands to connect this dowel to the warp beam apron bar.
7. Spread the warp in the raddle: Remove the cross ties but leave the counting thread in place. Divide the project's weaving width in half to center the warp on the loom and in the raddle. Measure from the center of the raddle using this number and begin spreading the warp here. Spread the entire warp into the raddle sections. Tie or lash the warping dowel to the warp beam apron bar tightly with strong cotton string.
8. Beam the warp, winding a little bit at a time and tightening the tension as you go. Insert warping sticks or slats between each layer of warp, using 2 for each rotation around the beam. We recommend warping sticks or slats for this loom, instead of cardboard, because of the high tension required. Leave the non-cross end long enough to attach to the cloth beam apron bar.
9. Cut the non-cross end of the warp chain. Tie the warp ends in 1/2" or 1" bundles and then lash these ends onto the cloth beam apron bar, going under the bottom beam of the loom.
10. Tighten tension on the warp: flip the ratchet dogs down so they engage with the ratchet gears, then turn the dowel handles on the warp and cloth beams.
11. Spread the warp in the warp coil, beginning at one selvedge of the warp and following each end down from the raddle to the coil. Make sure the warp ends do not cross each other. A fairly tight tension will make this process easier.
12. Remove the raddle. You may need to loosen the tension on the warp slightly to slide out the raddle. Retighten the warp tension using the dowel handles; you can fine-tune the tension by raising or lowering the tension beam if you wish.
13. Reinstall the shedding device and install heddles as described in the manual for the Arras Tapestry Loom.

WEAVING WITH THE BEAM KIT

Refer to the Arras Tapestry Loom manual for spreading the warp and weaving with the shedding device.

ADVANCING THE WARP

Turn the warp beam ratchet dog toward you to release tension on the warp, then flip up the ratchet dog. Turn the cloth beam handle toward you to wind fabric onto this beam. Stop when the woven edge of the cloth is 2" to 3" above the bottom beam. Push the ratchet dog back down on the ratchet gear. Tighten the warp by turning the warp beam handle away from you.

REMOVING YOUR PROJECT FROM THE LOOM

When you have finished your project or can't weave any farther, weave a few rows with waste yarn. Cut the warp off from the loom. Unwind the fabric from around the cloth beam and untie or cut off the warp from the front apron bar. Be careful not to cut the apron cords. ■

If a ratchet dog will not rotate easily, loosen the screw that attaches it with a 7/16" (or adjustable) wrench and a #2 Phillips screwdriver. Hold the lock nut inside the loom with the wrench, then loosen the screw slightly with the screwdriver.

ARRAS LOOM ACCESSORIES

TAPESTRY BEATERS

Weighted, Single-End & Double-End styles



TAPESTRY BOBBINS